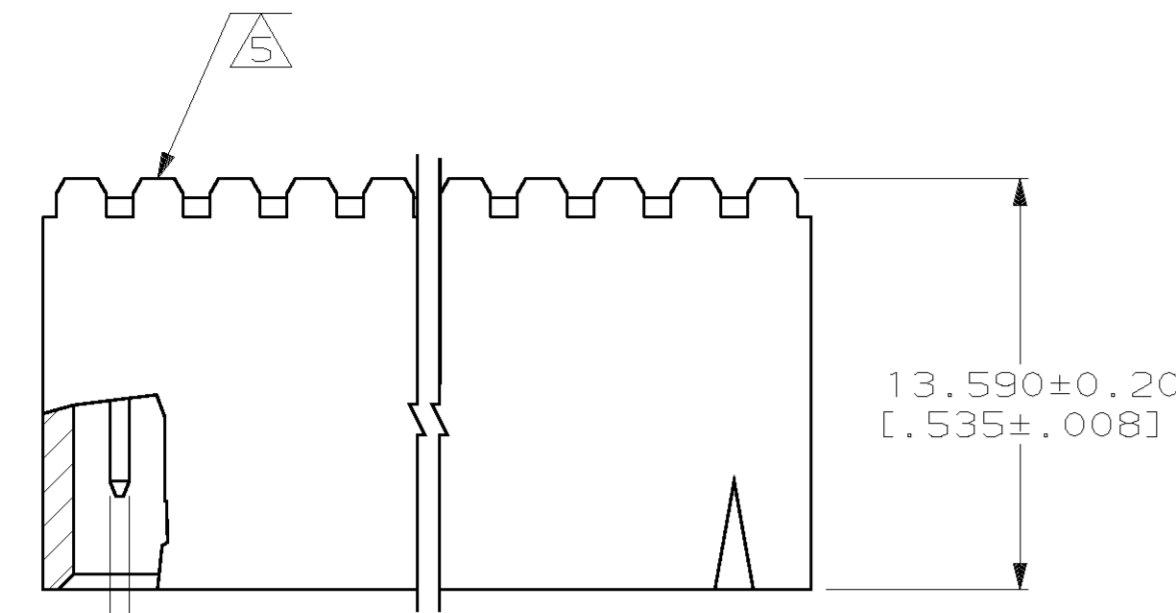
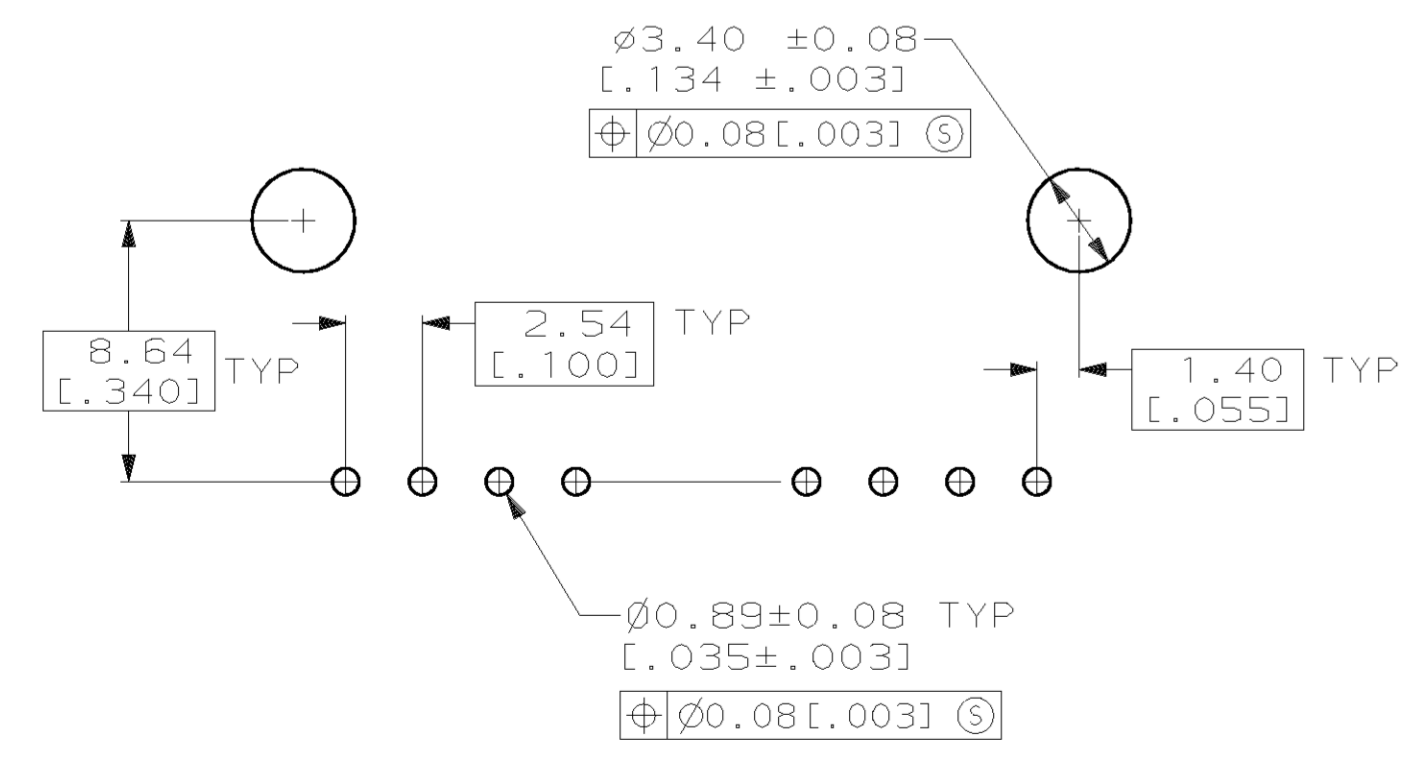
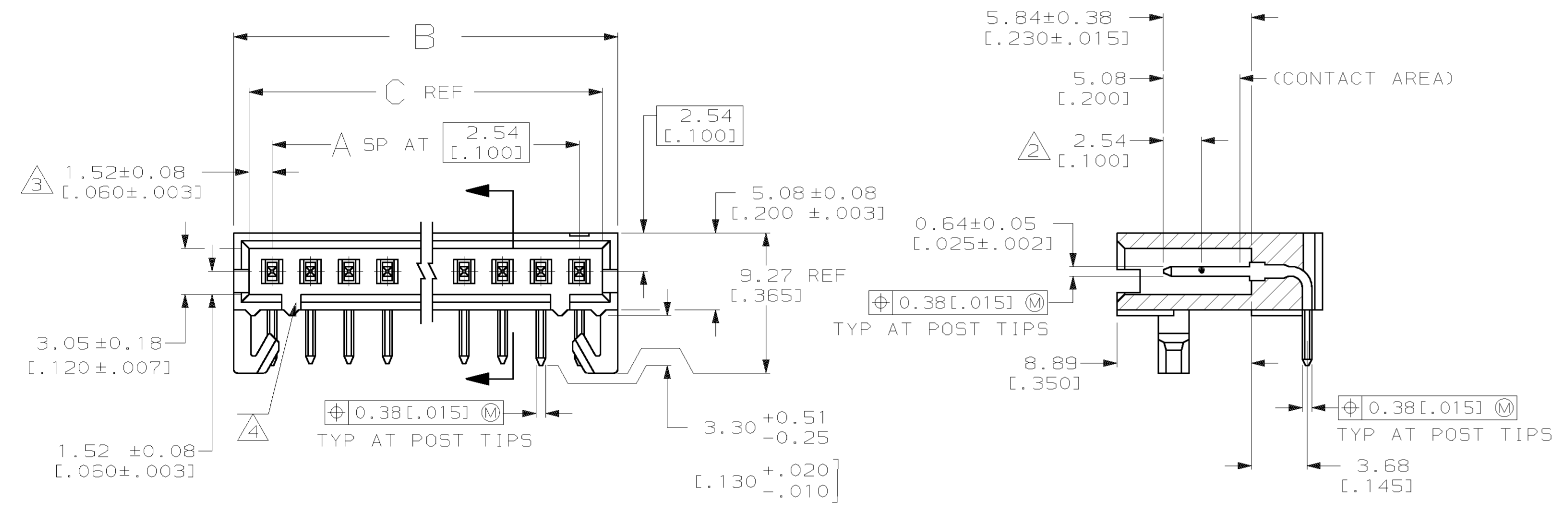


LOC	DIST	P	F	ZONE	LTR	DESCRIPTION	DATE	APPD
AD	00					REV PER AD-5122	-	-
						REV PER AD-6052	1-27-92	MR
						REV PER 0010-0581-93	5-17-93	JG
						REV PER 0010-0831-93	8-25-93	-
						REV PER 0010-0782-93	2-16-94	JG
						REV PER 0010-0002-94	3-29-94	JG
						REV PER 0010-0104-95	3-3-95	JG
						REV PER 0010-0252-95	5-5-95	JG
						REV PER 0010-1117-95	8-24-95	JG
						REV PER EC 063C-0441-00	05FEB01	KW
						ECR-05-005912	13JUL05	JG

- 1 .00254[.000100] BRIGHT TIN-LEAD OVER .00127[.000050] NICKEL.
- 2 POINT OF MEASUREMENT FOR PLATING THICKNESS.
- 3 THE NOTED DIMENSIONS APPLY AT THE INTERSECTION OF THE POST AND THE HOUSING.
- 4 ON ASSEMBLIES WITH FOUR OR MORE POSITIONS, TWO POLARIZATION SLOTS. ON ASSEMBLIES WITH TWO OR THREE POSITIONS, ONE POLARIZATION SLOT.
- 5 AMP TRADEMARK MOLDED ON THIS SURFACE.
- 6. FOR USE WITH 1.57±0.20[.062±.008] PRINTED CIRCUIT BOARD.
- 7 .00254-.00508[.000100-.000200] MATTE TIN OVER .00127[.000050] NICKEL.
- 8 HIGH TEMPERATURE CONFIGURATION



0.64±0.02  
[.025±.001]  $\phi$ 0.38[.015] M  
TYP AT POST TIPS



RECOMMENDED HOLE LAYOUT

REMARKS	FINISH	C	B	A	NO. OF POSN	PART NO.
					4	5-103671-4
					5	5-103671-4
					24	2-103671-4
					25	2-103671-4
					23	2-103671-3
					24	2-103671-3
					22	2-103671-2
					23	2-103671-2
					21	2-103671-1
					22	2-103671-1
					20	2-103671-0
					21	2-103671-0
					19	1-103671-9
					20	1-103671-9
					18	1-103671-8
					19	1-103671-8
					17	1-103671-7
					18	1-103671-7
					16	1-103671-6
					17	1-103671-6
					15	1-103671-5
					16	1-103671-5
					14	1-103671-4
					15	1-103671-4
					13	1-103671-3
					14	1-103671-3
					12	1-103671-2
					13	1-103671-2
					11	1-103671-1
					12	1-103671-1
					10	1-103671-0
					11	1-103671-0
					9	103671-9
					10	103671-9
					8	103671-8
					9	103671-8
					7	103671-7
					8	103671-7
					6	103671-6
					7	103671-6
					5	103671-5
					6	103671-5
					4	103671-4
					5	103671-4
					3	103671-3
					4	103671-3
					2	103671-2
					3	103671-2
					1	103671-1
					2	103671-1



DO NOT SCALE PRINT. UNLESS SPECIFIED DIMENSIONS IN mm [INCHES] TOLERANCES ON: 2 PLC DEC ±0.13[.005] 3 PLC DEC ± - ANGLES ± -

DR 3-5-91 S. SHUEY  
 CHK 3-27-91 L. CASTAGNA  
 APPD 3-27-91 L. CASTAGNA

AMP Incorporated  
 Harrisburg, PA 17105-3608

NAME  
 HDR ASSY, RTANG, SINGLE ROW  
 2.54[.100]CL, 0.64[.025] SQ POST,  
 WITH PLZN & HOLD DOWNS, AMPMODU MTE

MATERIAL  
 HOUSING: FLAME RETARDANT THERMOPLASTIC  
 COLOR - BLACK  
 CONTACTS: BRASS

PRODUCT SPEC  
 108-25034

FINISH  
 SEE TABLE

APPLICATION SPEC  
 114-25026

SIZE  
 D

CAGE CODE  
 00779

DRAWING NO  
 103671

WEIGHT  
 -

SCALE  
 4:1

SHEET  
 1 OF 1